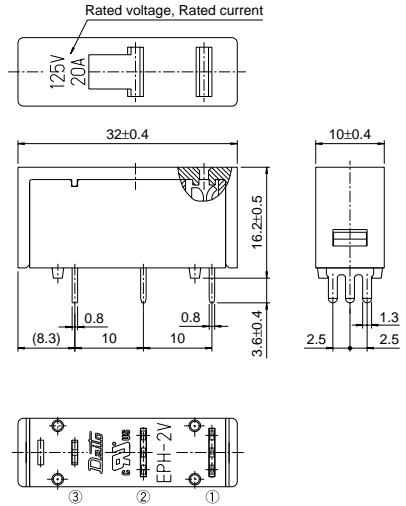


EP Fuseholder

●Color : Light Blue

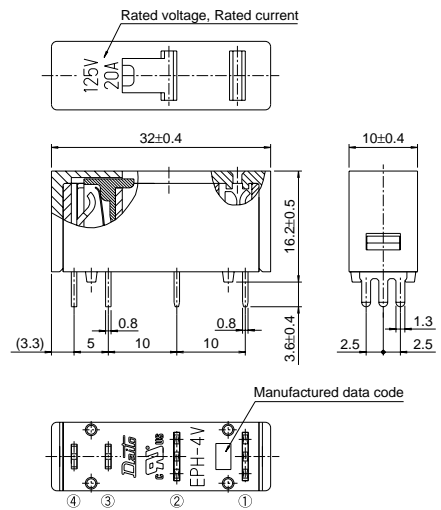
EPH-2V (For printed circuit board <right angle>)

EPH-2V
Net weight 5.9g



EPH-4V (For printed circuit board <right angle>)

EPH-4V
Net weight 6.6g



EPH-4P (For printed circuit board <right angle>)

EPH-4P
Net weight 5.7g

