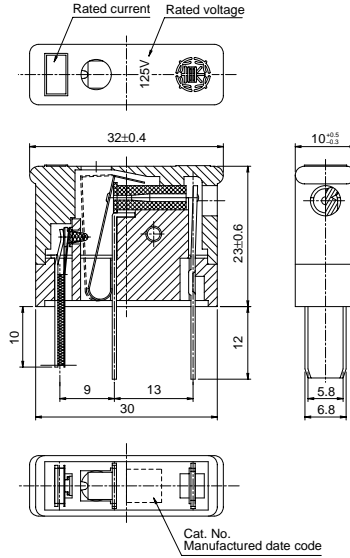


Alarm Fuses

P4L·PL4L Fuse

Normal blow



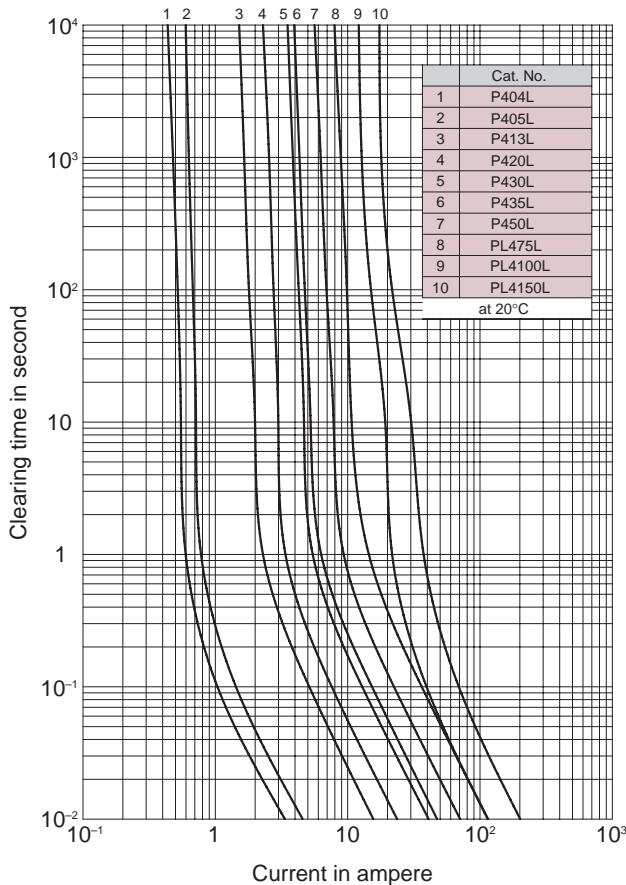
- Physical Size · Net Weight
32 × 10 × 35mm 9.5g
- Color
P4L : Black
PL4L : Brown
- Package
100Pcs/Box
- Applicable Fuseholders
Type P4 Fuseholders

Carrying Capacity	Clearing Time
110%	135% within 1 hour 200% within 2 minutes

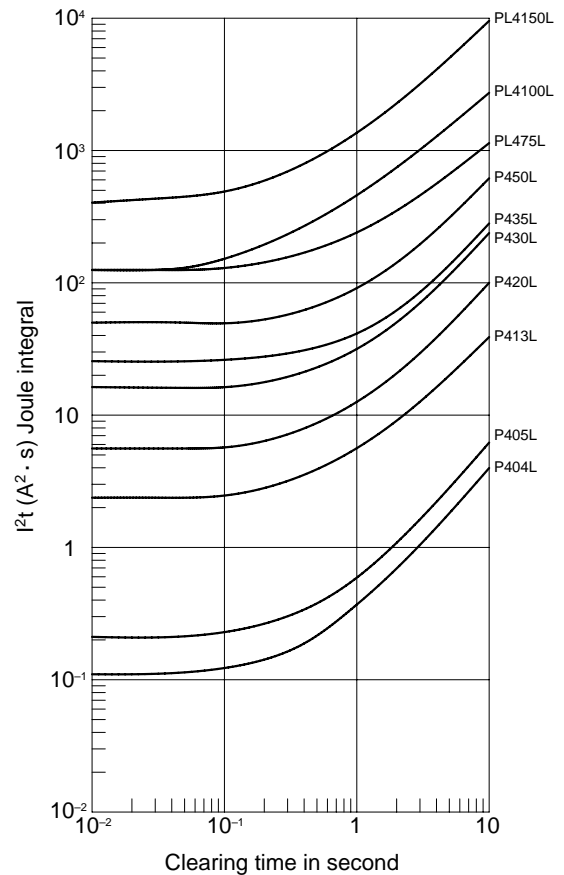
Cat. No.	Rated Current	Breaking Capacity	Typ. Resistance*1	
P404L	0.4A	AC 125V 10,000A DC 125V 1,500A	2.1Ω	
P405L	0.5A		1.6Ω	
P413L	1.3A		0.44Ω	
P420L	2A		60mΩ	
P430L	3A		38mΩ	
P435L	3.5A		34mΩ	
P450L	5A		25mΩ	
PL475L	7.5A		17mΩ	
PL4100L	10A		AC/DC 125V 100A	10mΩ
PL4150L	15A		AC/DC 60V 200A	8mΩ

*1 : at 10% max. of rated current
*2 : Alarm contact capacity
P4L, PL4L ; 200VA max. 5A

Clearing Characteristics



I²t Characteristics



Information in this catalog may be subject to change without notice. Please confirm product information when ordering.