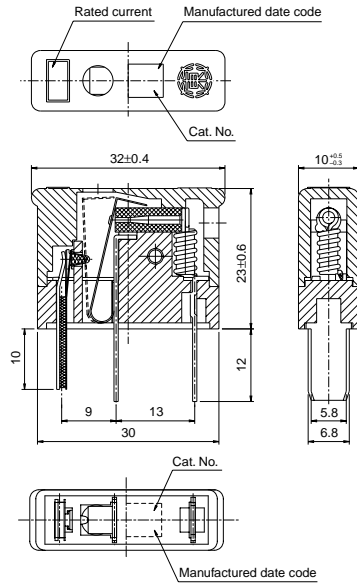


## SP4-SP3 Fuse

### Time-lag



- Physical Size · Net Weight  
32 × 10 × 35mm 9.5g
- Color  
Black
- Package  
100Pcs/Box
- Applicable Holders  
SP4 : Type P4 Fuseholders  
SP3 : Type P3 Fuseholders



Cat. No.	Rated Current	Clearing Time	Breaking Capacity	Typ. Resistance <sup>*1</sup>	
SP [ ]01	0.1A	200% of Rated current: 10~80 seconds 300% of Rated current: 5~18 seconds	AC 220V 2,500A DC 250V 1,500A	31Ω	
SP [ ]02	0.2A			7.6Ω	
SP [ ]03	0.3A			2.7Ω	
SP [ ]05	0.5A			1.16Ω	
SP [ ]10	1A			0.52Ω	
SP [ ]15	1.5A			0.24Ω	
SP [ ]20	2A			0.152Ω	
SP [ ]30	3A			AC 220V 1,500A	83mΩ
SP [ ]35	3.5A			DC 250V 300A	50mΩ
SP [ ]50	5A			AC/DC 125V 1,000A	30mΩ

[ ] mean either "3" or "4"

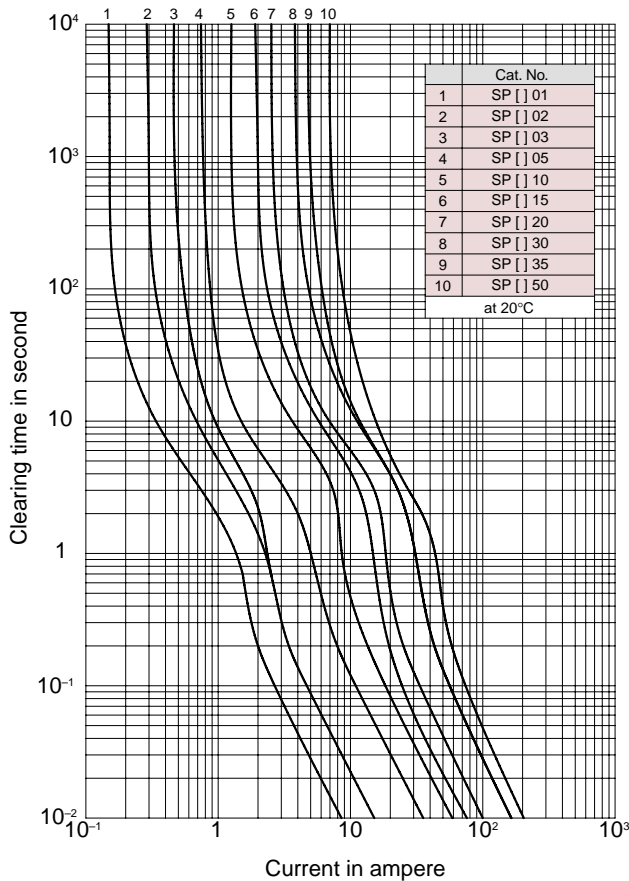
\*1 : at 10% max. rated current

Note : Alarm contact capacity

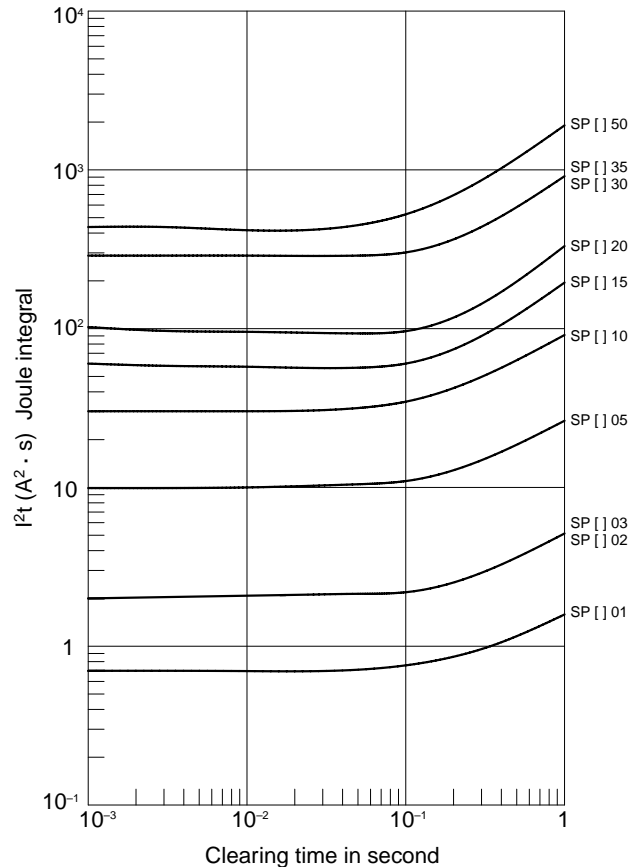
SP4 ; 200VA Max. AC 220V/DC 250V Max. 5A

SP3 ; 50VA Max. AC 220V/DC 250V Max. 5A

### Clearing Characteristics



### I<sup>2</sup>t Characteristics



Information in this catalog may be subject to change without notice. Please confirm product information when ordering.