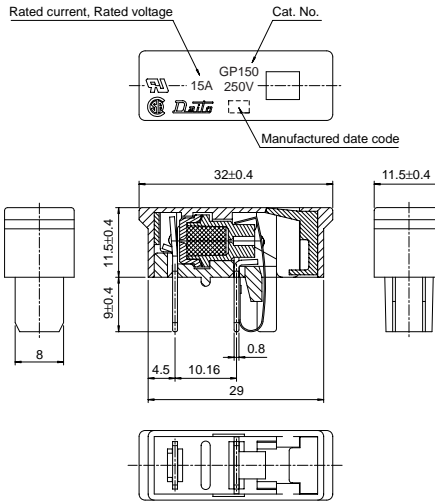


GP Fuse

Normal blow



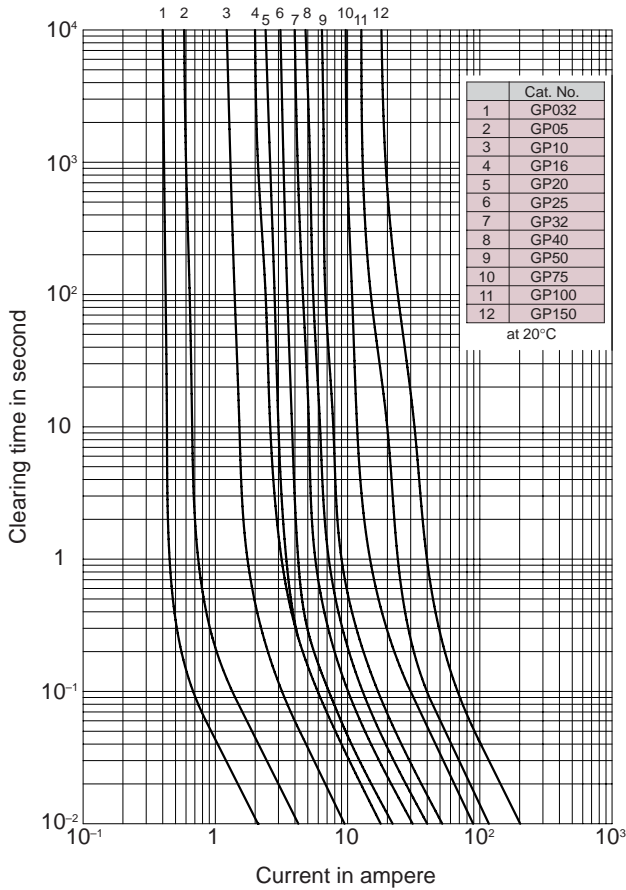
- Physical Size · Net Weight
32 × 11.5 × 20.5mm 6g
- Color
Dark Green
- Package
50Pcs/Box
- Applicable Fuseholders
GPH-4S, 4P, 4V, 2S, 2PD

Carrying Capacity	Clearing Time
110%	135% within 1 hour 200% within 2 minutes

Cat. No.	Rated Current	Breaking Capacity	Typ. Resistance*1
GP032	0.32A	AC/DC 250V 1,500A AC 125V 10,000A	2.95Ω
GP05	0.5A		1.74Ω
GP10	1A		0.70Ω
GP16	1.6A		0.41Ω
GP20	2A		83mΩ
GP25	2.5A		66mΩ
GP32	3.2A		46mΩ
GP40	4A		37mΩ
GP50	5A		29mΩ
GP75	7.5A		18mΩ
GP100	10A		9mΩ
GP150	15A		5mΩ

*1 : at 10% max. of rated current

Clearing Characteristics



I²t Characteristics

