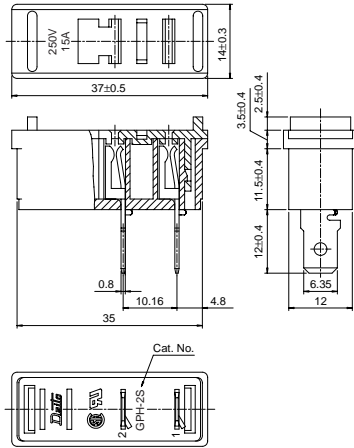


GP Fuseholder

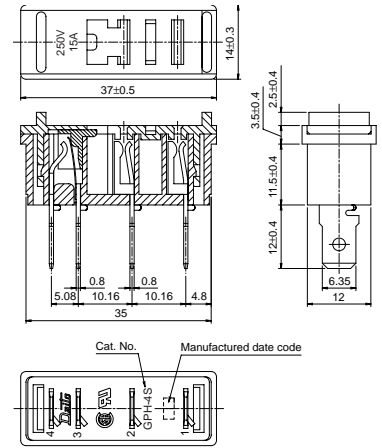
●Color : Light Blue

GPH-2S, 4S (For soldering)

GPH-2S
Net weight 8.5g

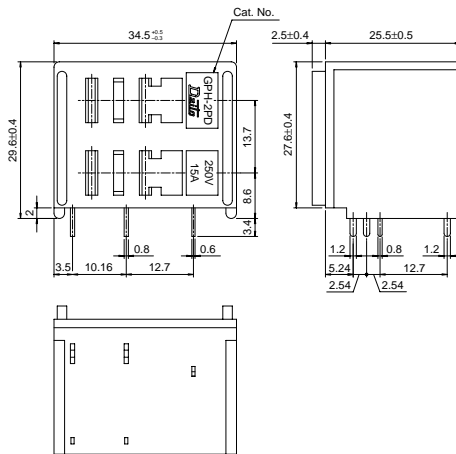


GPH-4S
Net weight 10.5g

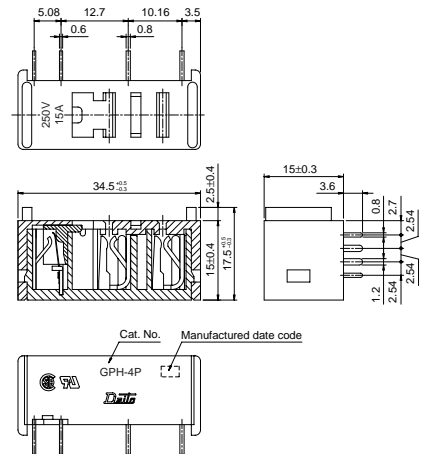


GPH-2PD, 4P (For printed circuit board <right angle>)

GPH-2PD
Net weight 22g

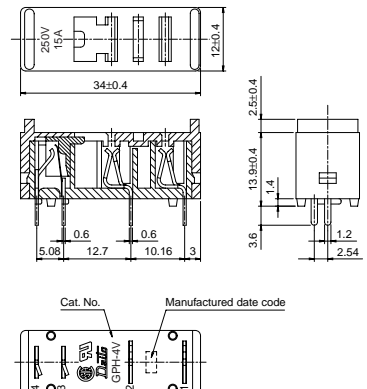


GPH-4P
Net weight 9g



GPH-4V (For printed circuit board <vertical>)

GPH-4V
Net weight 6.5g



Cat. No.	Rated voltage	Rated current	Withstand voltage			Insulation resistance	Contact resistance
			Between alarm terminals	Load-Alarm terminals	Other		
GPH-2S GPH-4S GPH-2PD GPH-4P GPH-4V	AC/DC 250V	15A	AC 1,250V 1min	AC 3,750V 1min	AC 2,500V 1min	Min. 100MΩ at 500VDC	Max. 10mΩ per terminal (5VDC 100mA)

Alarm contact

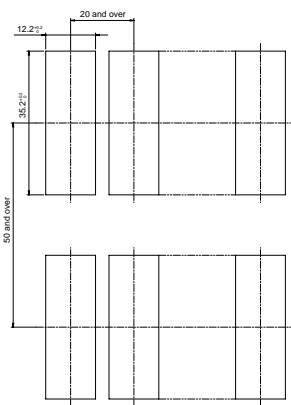
Capacity	Voltage	Current
25VA	Max. AC/DC 125V	Max. 0.5A

Holder terminal No.

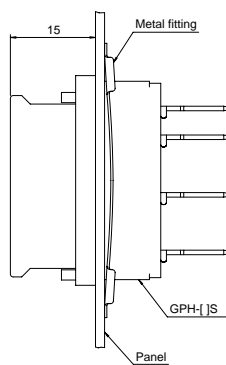
1	Power supply terminal
2	Load terminal
3	Alarm load terminal
4	Alarm power supply terminal

GPH-2S, 4S

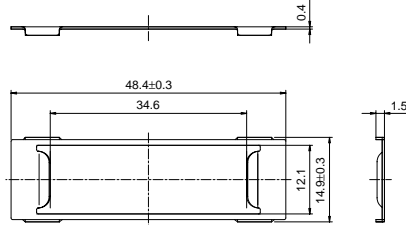
Mounting dimensions drawing



Mounting view



Metal fitting (Dimensional drawing)



These fuseholders are mounted on panel by metal fitting using by the tool.

Mounting tool

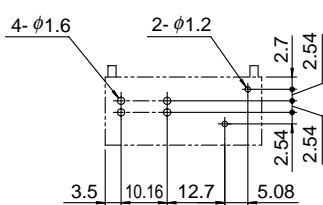


Wiring terminals can be soldered by Max. 2mm square wire or quick-connect terminal by class 250 series.

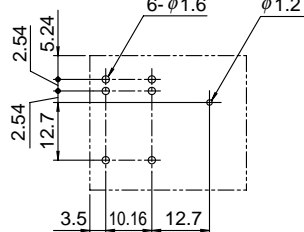
GPH-4P, 4V, 2PD

Mounting hole dimensions for P.C.B. (Tolerance : ±0.1) Bottom view

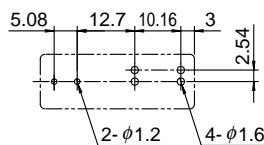
GPH-4P



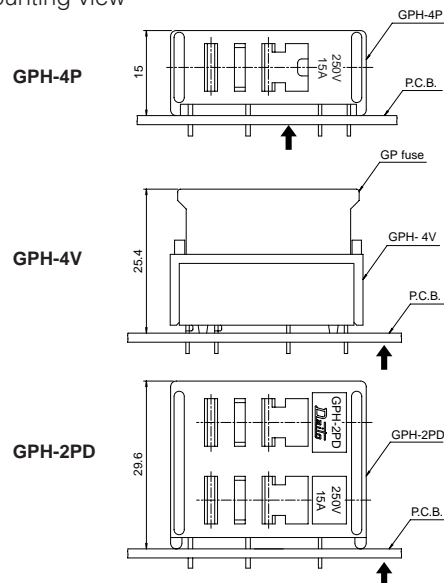
GPH-2PD



GPH-4V



Mounting view



The layout of mounting holes seen from the direction of the arrow in the mounting method drawing.