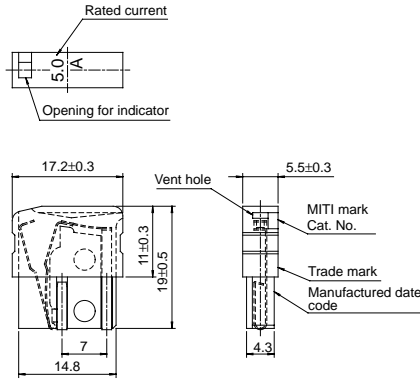


MP Fuse

Fast blow



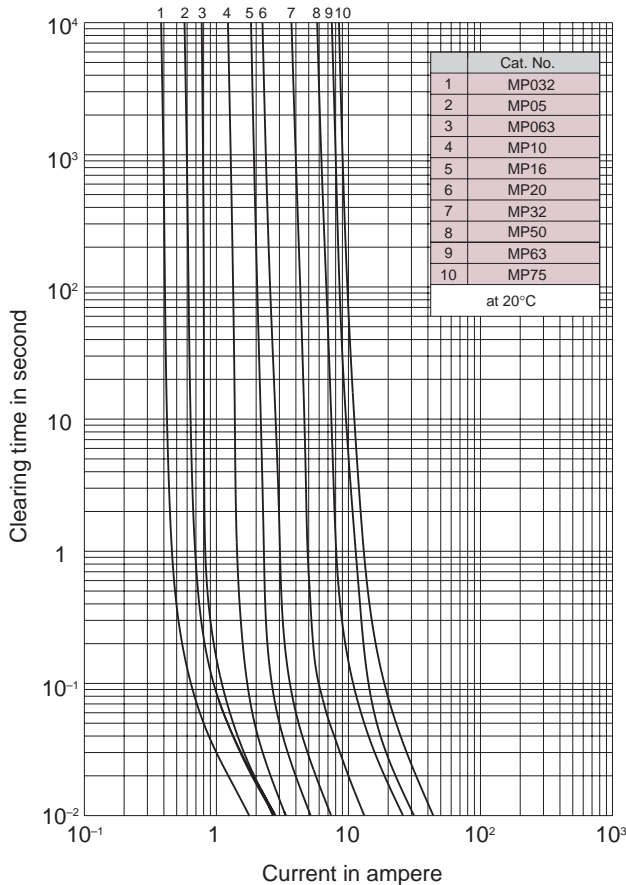
- Physical Size · Net Weight
17.2 × 5.5 × 19mm 1.8g
- Color
Dark Green
- Package
50Pcs/Stick
- Applicable Fuseholders
MPH-2S, 4S, 2W, 4W, 2P, 4P,
2PD, 4PA, 2V, 4V

Cat. No.	Carrying Capacity	Clearing Time
MP032 MP50	110%	135% within 6 minutes 200% within 0.5 second
MP63 MP75		135% within 1 hour 250% within 1 second

Cat. No.	Rated Current	Breaking Capacity	Typ. Resistance*1
MP032	0.32A	AC/DC 125V 100A	1.41Ω
MP05	0.5A		0.44Ω
MP063	0.63A		0.32Ω
MP10	1A		0.25Ω
MP16	1.6A		0.14Ω
MP20	2A		57mΩ
MP32	3.2A		28mΩ
MP50	5A		20mΩ
MP63	6.3A		15mΩ
MP75	7.5A		13mΩ

*1 : at 10% max. of rated current

Clearing Characteristics



I²t Characteristics

