

# P.PL Fuseholder

## ■ Panel mounting type

P3 fuse holders are for type-P3 fuses. P4 fuse holders are for type-P4 fuses.

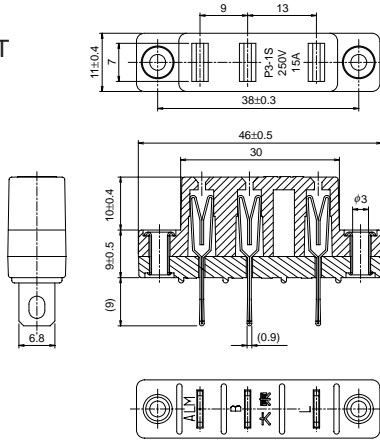
### P3-1S, PL3-1S and P4-1S, PL4S-1S (Solder wiring connection)

●P : Black, PL : Brown

**P3-1S, PL3-1S**

Net weight 12.5g

NTT



**P4-1S, PL4-1S**

Net weight 12g

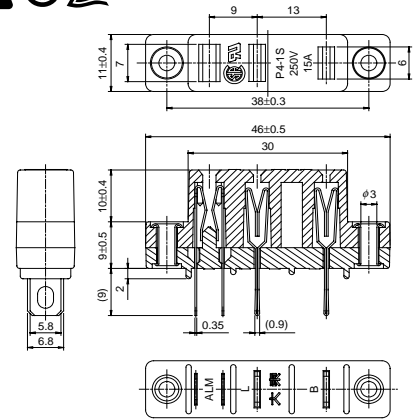


Illustration shows Type P[ ]-1S. Type PL[ ]-1S is same except Cat. No. marking.

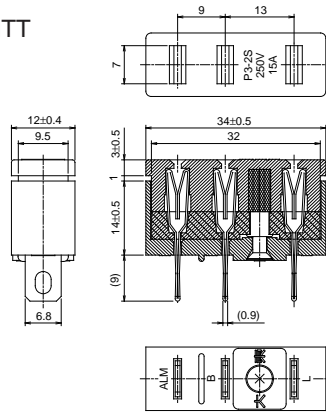
### P3-2S, PL3-2S and P4-2S, PL4-2S (Solder wiring connection)

●P : Black, PL : Brown

**P3-2S, PL3-2S**

Net weight 13g

NTT



**P4-2S, PL4-2S**

Net weight 13g

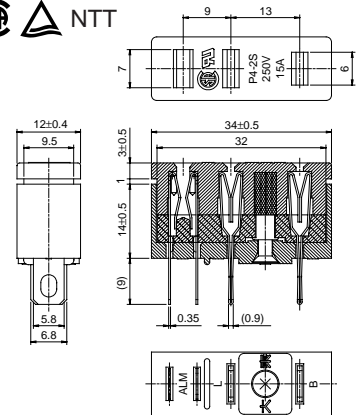


Illustration shows Type P[ ]-2S. Type PL[ ]-2S is same except Cat. No. marking.

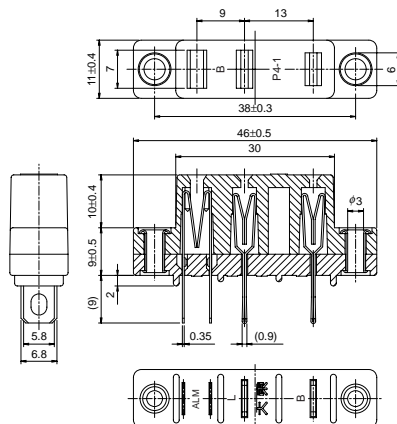
### P4-1SB, P4-2SB (Solder wiring connection)

Alarm circuit is closed, when fuse is not mounted.

●Black

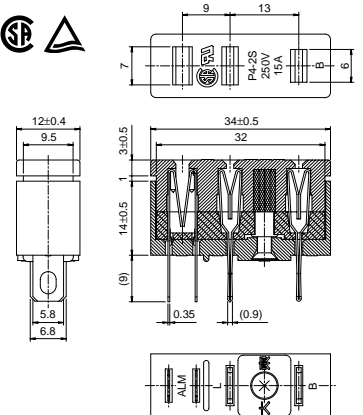
**P4-1SB**

Net weight 12.5g



**P4-2SB**

Net weight 12.5g



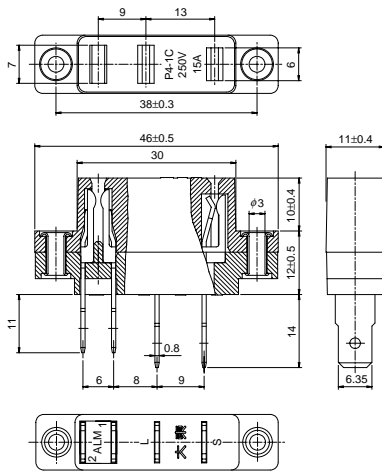
# P.PL Fuseholder

## P4-1C, 1C (YR), 2C, 2C (YR) (Quick connection)

●Black (YR : Brown)

**P4-1C, P4-1C (YR)**

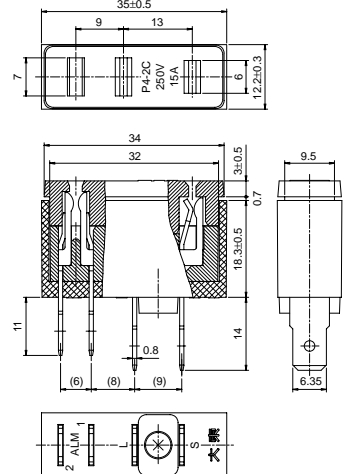
Net weight 14.5g



●Black (YR : Brown)

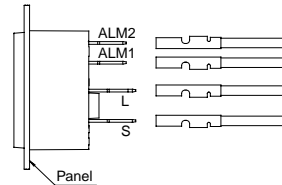
**P4-2C, P4-2C (YR)**

Net weight 17g

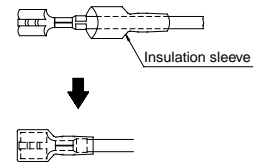


- Suitable receptacle terminal ..... 250 series(6.3mm series)
- For keeping the insulation distance between terminals, please use insulation type and make wire connection as shown below.

Connection to the receptacle terminal



Insulation type receptacle terminal



■Mounting method and mounting dimensions  
Mounting method

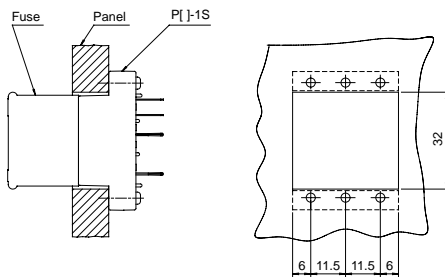


Fig. a Fuseholder

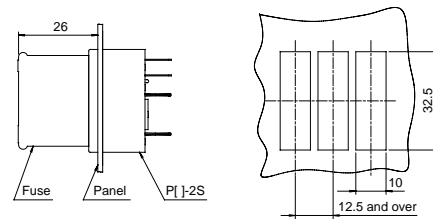


Fig. b Fuseholder

(1)Type 1 holders... {P3-1S, PL3-1S, P4-1S, }  
                                  {PL4-1S, P4-1SB, P4-1C }

- These holders can be used when a thick mounting panel is used. (as shown in Fig. a)
- The holders can be mounted with screws or screws and nuts. (Screw-tightening torque should be lower than 0.3N·m.)

(2) Type 2 holders... {P3-2S, PL3-2S, P4-2S, }  
                                  {PL4-2S, P4-2SB, P4-2C }

- These holders can be used when mounting on panel (Fig. b) with thickness of 1.2 to 2mm.
- Mounting can be accomplished by sandwiching a panel between the main body and cover of the fuseholder thence by fastening with screws. (Tightening torque should be smaller than 0.3N·m.)
- Mounting Pitch is 25mm in cases of : 1) PL[ ]75, PL[ ]100 : 5pcs or more. 2) PL[ ]150 : 2pcs or more.

# P.PL Fuseholder

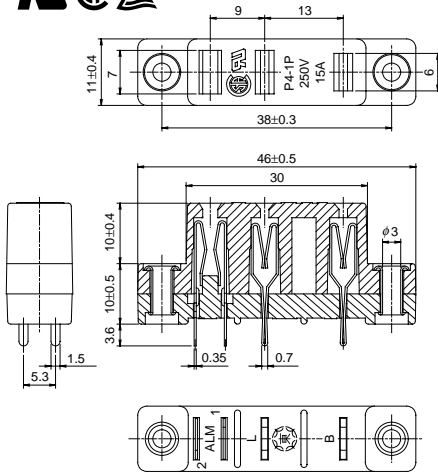
## ■P.C.B. mounting type

### P4-1P · P4-1P (YR) · P4-1PB

●Black (YR : Brown)

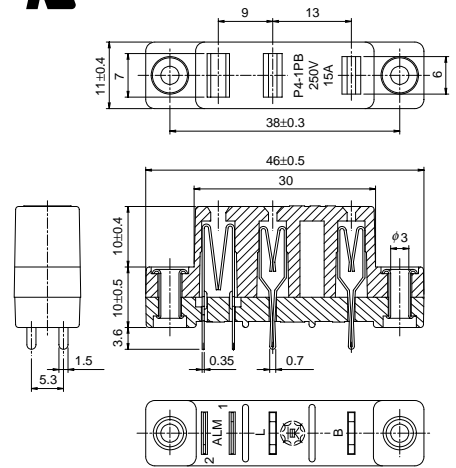
P4-1P · P4-1P (YR)

Net weight 11.5g



P4-1PB

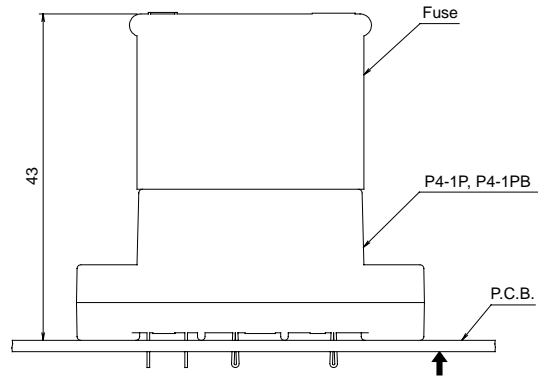
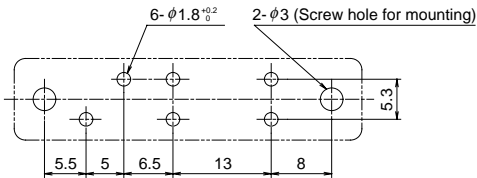
Net weight 11.5g



Alarm circuit is closed, when fuse is pulled-off.  
Alarm contact 50VA

Mounting hole dimension for P.C.B. (Tolerance : ±0.1mm)

The layout of mounting holes is seen from the direction of the arrow.



Cat. No. *	Rated voltage	Rated current		Withstand voltage	
		Main circuit	Alarm circuit	Between alarm terminals	Other
P3-1S, 2S	AC/DC 250V	15A	5A	AC1,000V 1min	AC2,500V 1min P4-[ ]C AC2,000V 1min
PL3-1S, 2S					
P4-1S, 2S					
PL4-1S, 2S					
P4-[ ]C, P4-[ ]C (YR)					
P4-1P, P4-1P (YR)					
P4-1SB, 2SB					
P4-1PB				-	

\* [ ] mean either "1" or "2".