

UP Fuseholder

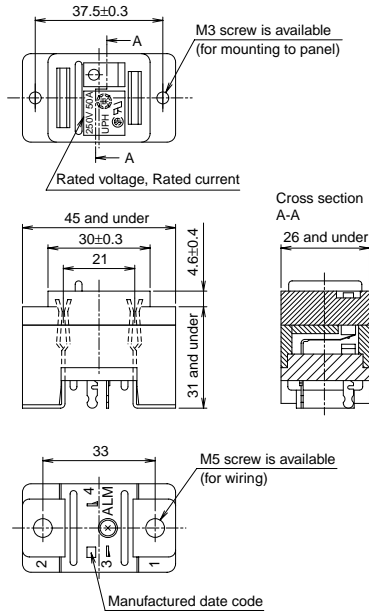
UPH

●Black
Net weight 50g

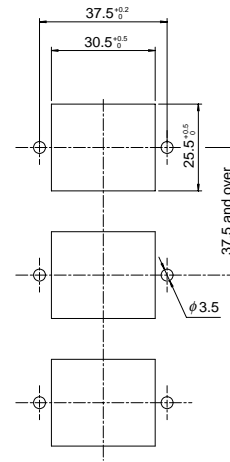


Cat. No.	Rated voltage	Rated current		Withstand voltage		Insulation resistance
		Main circuit	Alarm circuit	Between alarm terminals	Other	
UPH	AC/DC 250V	50A	5A (50VA)*	AC1,000V 1min	AC1,500V 1min	Min. 10MΩ at 500VDC

*Alarm contact (Resistance load)



Mounting dimensions diagram

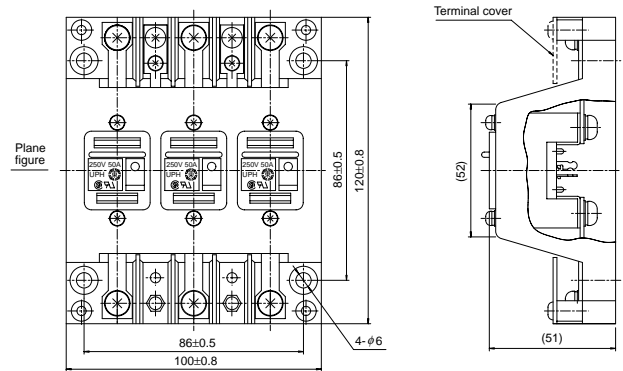
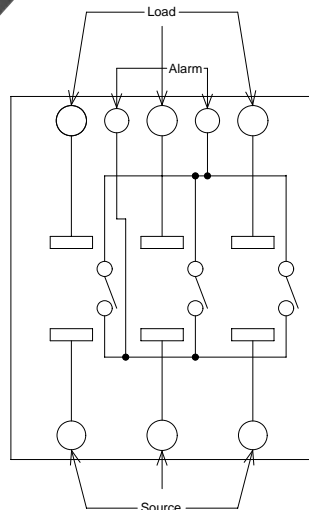


UP-403A Fuse panel

●Black
Net weight 350g



Circuit diagram



Mounting dimensions diagram

This plane figure shows the condition without terminal cover.

